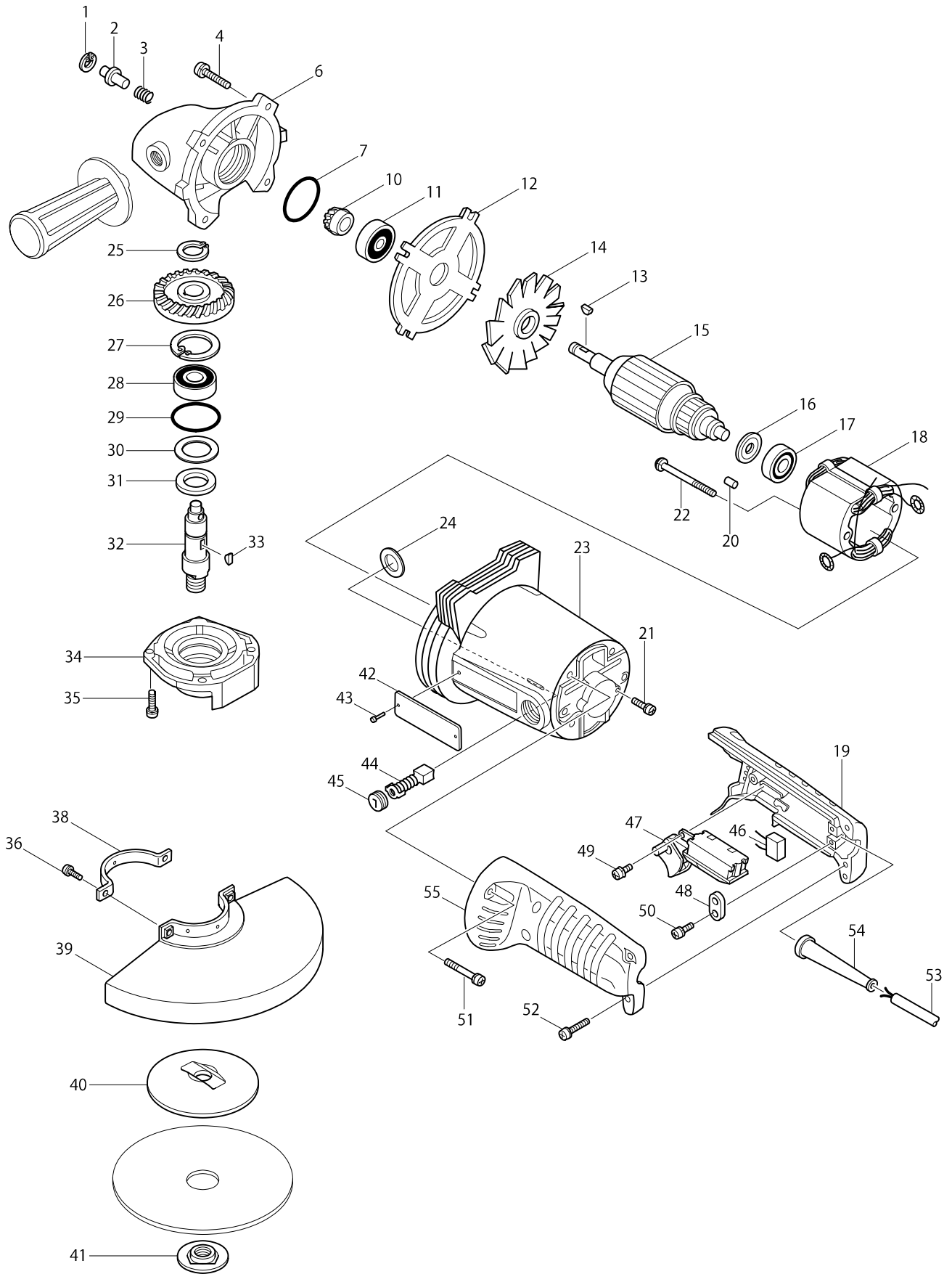


Model No. GA7001 DISC GRINDER 180MM



Model No. GA7001 DISC GRINDER 180MM

Item	Parts No.	Description	I/C	QTY	N/O	Opt. 1	Opt. 2	NOTE
001	962062-5	RETAINING RING R-12		1				
002	256615-3	PIN 6		1				
003	231037-8	COMPRESSION SPRING 7		1				
004	911236-5	PAN HEAD SCREW M5X22		4				
006	156781-5	GEAR HOUSING		1				
C10	212063-6	NEEDLE BEARING 1012		1				
D10		INC. 7						
007	213506-1	O RING 36		1				
010	221169-9	SPIRAL BEVEL GEAR 15		1				
011	211111-8	BALL BEARING 6301LLB		1				
012	341706-4	PLATE		1				
013-1	254038-9	WOODRUFF KEY 4		1				
014	241315-8	FAN 100		1				
015C_	514688-5	ARMATURE ASS'Y 220V		1				
D10		INC. 14,16,17						
016	213051-6	DUST SEAL 10		1				
017	211068-3	BALL BEARING 6200LB		1				
018C1	524798-0	FIELD ASS'Y 220V		1				
C10	654020-2	RING TERMINAL		2				
C20	654502-4	CONNECTOR P-2		2				
019	181390-1	HANDLE SET		1				
D10		INC. 55						
020	263002-9	RUBBER PIN 4		1				
021	652014-1	PAN HEAD SCREW M4X8		1				
022-1	911290-9	PAN HEAD SCREW M5X65		2				
023	156780-7	MOTOR HOUSING COMPLETE		1				
C10	421168-3	TOOL REST		1				
C20	643653-8	BRUSH HOLDER 6.5-13.5		2				
C30	913206-0	SET SCREW M5X8		2				
D10		INC. 20						
024	681002-1	INSULATION WASHER		2				
025	961057-5	RETAINING RING S-17		1				
026	221170-4	SPIRAL BEVEL GEAR 38		1				
027	962157-4	RETAINING RING R-40		1				
028	211256-2	BALL BEARING 6203LLB		1				
029	213505-3	O RING 40		1				
030	253772-8	FLAT WASHER 28		1				
031	443036-0	FELT RING 25		1				
032-1	321554-7	SPINDLE		1				
033-1	254038-9	WOODRUFF KEY 4		1				
034-1	152228-7	BEARING BOX COMPLETE		1				
D10		INC. 29						
035	911226-8	PAN HEAD SCREW M5X18		4				
036	251259-4	+ PAN HEAD SCREW M5X16		2				
038-1	342555-2	WHEEL COVER HOLDER		1				
039	164258-6	WHEEL COVER 180		1				
040	224029-4	INNER FLANGE 40		1				
041-1	224521-0	LOCK NUT 16-40		1				

